

## Mini Grone - Darker machine



### Blocks description

#### Drone VCO :

Generates sound based on equations converted to analog signals , there are sixteen equations selected by Up and Down switches. Four leds indicate equation number in binary mode. Three Pots modify numbers used by the equation, A0 , A1 and A2 , fourth pot Sample Rate controls pitch and speed of the oscillation. There's an Output Level pot for the oscillator and a

dedicated jack for patching the Oscillator sound to external modules .

NOISE GENERATOR : White noise with noise level pot and noise output jack.

VCF : MS20 resonant low pass filter , with CUT frequency pot control , RESONANCE , MODULATION 1 amount pot , input and output jacks and second cv input for cut off ,labeled MOD2

LFO1 : Low frequency oscillator routed to MOD1 from VCF , RATE and WAVEFORM shape Pots.

Also routed to delay block 1

Waveforms are : ramp up, ramp down, square, triangle, sine , sweep, random levels, random slopes

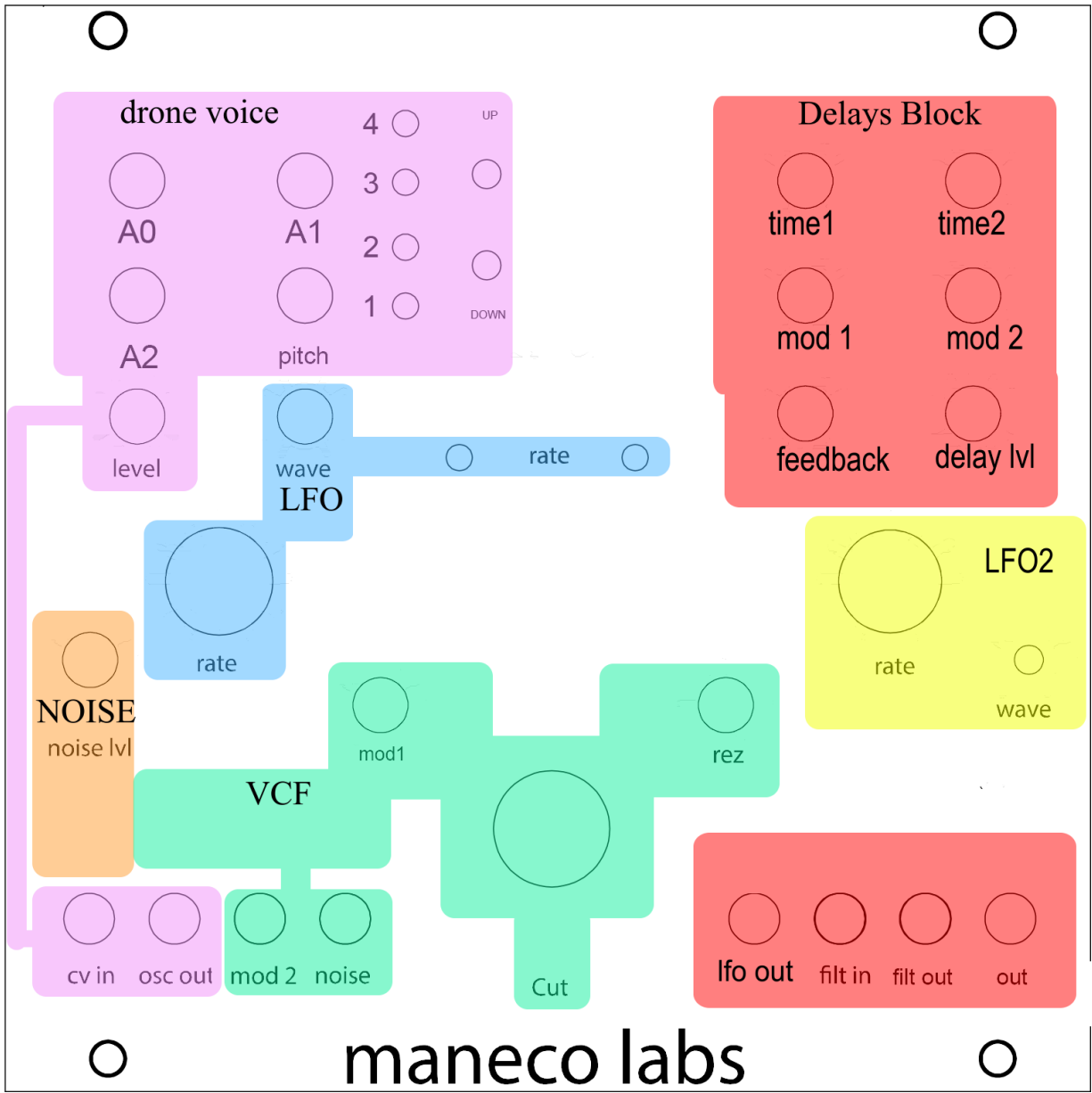
LFO2 : Low frequency oscillator routed to delay block 2, RATE and WAVEFORM shape Pots.

Waveforms are : ramp up, ramp down, square, triangle, sine , sweep, random levels, random Slopes

DELAYS BLOCK:

2 delay lines in parallel sharing feedback and blend controls.

Time 1 and mod 1 control delay block 1 , time 2 and mod 2 control delay block 2



Art by Alfonsina González #alfonsinapsico